

# DC Circuits and Ohm's Law

## INTRODUCTION

During the nineteenth century so many advances were made in understanding the electrical nature of matter that it has been called the “age of electricity.” One such advance was made by a German physicist named Georg Simon Ohm.<sup>1</sup> Ohm was interested in examining the relative conductivity of metals<sup>2</sup> and in investigating the relationship between the electromotive force<sup>3</sup> (potential difference) and the current<sup>4</sup> in a conductor.

By taking wires made from different materials but having the same thickness, passing a current through these wires, and measuring the electromotive force, i.e., the potential difference between the ends of the conducting wire, he was able to determine experimentally the relative conductivity of certain metals such as silver, copper, and gold.

In another experiment using a piece of apparatus that he built, Ohm investigated the effect of current in a conductor on the voltage drop across the conductor. He found that for a given conductor the voltage drop was directly proportional to the current in the wire. When voltage is plotted against the current in a given conductor, the data can be fitted to a straight line, the slope of which is the *resistance*<sup>5</sup> of the conductor. This result was published in 1826. In recognition of Ohm's work, this empirical relationship bears his name.

## DISCUSSION OF PRINCIPLES

Ohm's Law<sup>6</sup> can be written algebraically as  $\Delta V = RI$ , where  $\Delta V$ , measured in volts,<sup>7</sup> represents the potential drop or potential difference across the conductor,  $I$  is the current in the conductor measured in amperes, and  $R$  is the resistance of the conductor measured in units called “ohms” symbolized by  $\Omega$ , upper-case Greek omega. Note: Some textbooks use  $V$  rather than  $\Delta V$  for potential difference.

### Resistance and Resistors

*Resistance* is a property of materials. *Resistors* are conducting devices made from materials, which satisfy Ohm's Law.

If the potential difference across a resistor is set at 1 volt, and if a current of 1 amp is measured in the conductor, then its resistance is determined to be 1 ohm, or 1  $\Omega$ . Instead of using thin wires as Ohm did in his original experiment, you will replicate his results using small cylindrical ceramic resistors.<sup>8</sup>

---

<sup>1</sup>[http://en.wikipedia.org/wiki/Georg\\_Simon\\_Ohm](http://en.wikipedia.org/wiki/Georg_Simon_Ohm)

<sup>2</sup>[http://en.wikipedia.org/wiki/Electrical\\_conductivity\\_of\\_metals](http://en.wikipedia.org/wiki/Electrical_conductivity_of_metals)

<sup>3</sup>[http://en.wikipedia.org/wiki/Electromotive\\_force](http://en.wikipedia.org/wiki/Electromotive_force)

<sup>4</sup>[http://en.wikipedia.org/wiki/Electric\\_current](http://en.wikipedia.org/wiki/Electric_current)

<sup>5</sup>[http://en.wikipedia.org/wiki/Electrical\\_resistance](http://en.wikipedia.org/wiki/Electrical_resistance)

<sup>6</sup>[http://en.wikipedia.org/wiki/Ohm's\\_law](http://en.wikipedia.org/wiki/Ohm's_law)

<sup>7</sup><http://en.wikipedia.org/wiki/Volts>

<sup>8</sup><http://en.wikipedia.org/wiki/Resistor>



Figure 1: Color-coded ceramic resistors

You will notice colored bands on the resistors. These bands form a code that indicates the resistance of the resistor. Later we will discuss how to read this color code.

### Combinations of Resistors

Resistors can be combined in simple circuit arrangements that increase or decrease the overall resistance in the circuit. These arrangements are called series<sup>9</sup> and parallel<sup>10</sup> circuits. Figure 2a illustrates two resistors connected in series and Fig. 2b shows the resistors in a parallel arrangement.

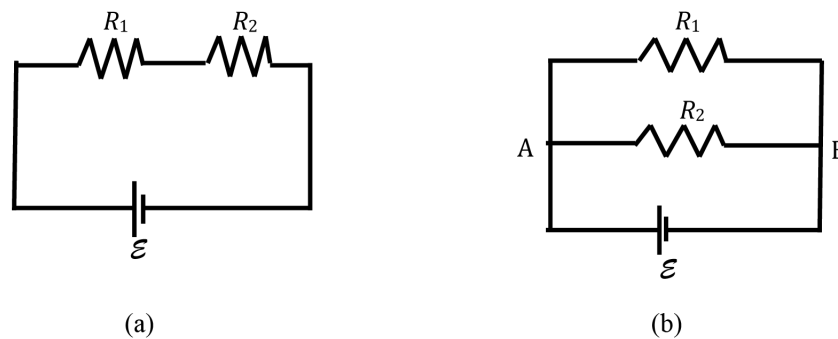


Figure 2: Resistors in Series and Parallel Arrangements

In order for charges to move in a conductor, there must be a potential difference across the conductor and there must be a complete path leading away from and back to the source of emf ( $\mathcal{E}$  in Fig. 2).

In the series arrangement shown in Fig. 2a the current  $I$  in the circuit goes through each resistor. If we compute the potential drop  $\Delta V_1$  across  $R_1$  using Ohm's Law, it is  $\Delta V_1 = IR_1$ . Likewise, the drop across  $R_2$  is  $\Delta V_2 = IR_2$ . The potential drop across both resistors is  $\Delta V = \Delta V_1 + \Delta V_2$  which is equal to  $\mathcal{E}$ . One can think of the applied voltage  $\mathcal{E}$  being divided between the two series resistors  $R_1$  and  $R_2$ .

In the parallel arrangement shown in Fig. 2b, the current divides at the junction A and recombines at junction B. Therefore, the current through  $R_1$  and  $R_2$  will be different. Notice that in this case  $\Delta V = \Delta V_1 = \Delta V_2$ . That is, the potential drop across each resistor is the same.

<sup>9</sup>[http://en.wikipedia.org/wiki/Series\\_circuit](http://en.wikipedia.org/wiki/Series_circuit)

<sup>10</sup>[http://en.wikipedia.org/wiki/Parallel\\_circuit](http://en.wikipedia.org/wiki/Parallel_circuit)

Using algebra the relationships for determining *equivalent resistance*  $R_{eq}$  for resistors in series and/or parallel can be derived.

$$\textit{Series} \quad R_{eq} = R_1 + R_2 + \dots \quad (1)$$

The equivalent resistance is the sum of the individual resistances.

$$\textit{Parallel} \quad \frac{1}{R_{eq}} = \frac{1}{R_1} + \frac{1}{R_2} + \dots \quad (2)$$

The *reciprocal* of the equivalent resistance is the sum of the reciprocals of the individual resistances.

## Measuring Current and Voltage

**Ammeters**<sup>11</sup> are used to measure the current flowing in a circuit. To do so, the ammeter should be connected in series with the circuit element through which you want to measure the current. Introducing an ammeter into a circuit should not affect the flow of current in the circuit and therefore ammeters have very low resistance.

**Voltmeters**<sup>12</sup> are used to measure the potential difference or voltage drop across a circuit element. To do this, the voltmeter should be connected to the two points across which you want to measure the potential difference. In other words, the voltmeter should be connected parallel to the circuit element. Voltmeters should not affect the current flowing through the circuit element and therefore voltmeters have high resistance. This prevents current from flowing through them.

## Reading the resistor code

The resistance of most ceramic resistors can be determined from the colored bands<sup>13</sup> printed on the resistor. Each color represents a digit from 0 to 9.

black	0	green	5
brown	1	blue	6
red	2	violet	7
orange	3	gray	8
yellow	4	white	9

The first two bands indicate the mantissa of a number in scientific notation; the third indicates the power of ten. The fourth band indicates the tolerance or the uncertainty expressed as a percentage in the value of the resistance (gold:  $\pm 5\%$ , silver:  $\pm 10\%$ , no 4th band:  $\pm 20\%$ ). Therefore, in order to know which end of a resistor to start from when reading the color code, it is useful to remember that the 4th band, if present, is metallic in color (gold or silver). If regular colors are present instead of these metallic bands, sometimes the color bands will be spaced differently or are closer to one end of the resistor to help indicate which end to start reading from. We will not be concerned with five-band resistors in this lab. If a fifth band were present, the first three bands

---

<sup>11</sup><http://en.wikipedia.org/wiki/Ammeter>

<sup>12</sup><http://en.wikipedia.org/wiki/Voltmeter>

<sup>13</sup>[http://en.wikipedia.org/wiki/Electronic\\_color\\_code#Resistor.2C\\_capacitor\\_and\\_inductor](http://en.wikipedia.org/wiki/Electronic_color_code#Resistor.2C_capacitor_and_inductor)

indicate the mantissa, the fourth indicates the power of ten and the fifth indicates the tolerance (as brown, red, orange, yellow, or gold). See the example in Fig. 3 below.

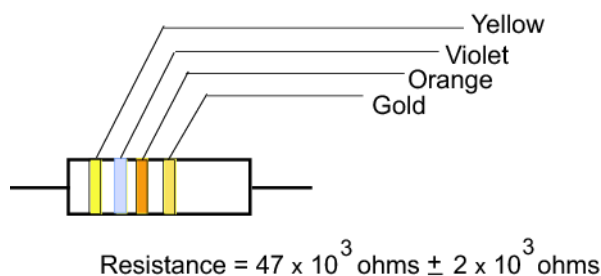


Figure 3: Reading the color code

## OBJECTIVE

The objective of this experiment is to use Ohm's Law to determine the resistance of several individual resistors and the equivalent resistance of series and parallel combinations. You will apply various voltages across the resistor (or circuit) using a power supply, and measure the current  $I$  through the resistor and the voltage  $\Delta V$  across the resistor for each setting of the power supply. From a plot of  $\Delta V$  vs.  $I$ , you will determine the resistance. You will compare the measured value of the resistance with the manufacturer's value.

## EQUIPMENT

Pasco circuit board with two unknown resistors

DC power supply — adjustable from 0 to 5 V

Two hand-held multimeters

Connecting wires

## PROCEDURE

You will set up a simple DC circuit with a single resistor and measure the current flowing through the resistor and the potential difference across it. From a plot of voltage versus current you will determine the resistance of the resistor. You will repeat this process with the second unknown resistor.

You will use the two unknown resistors to set up a series combination and experimentally determine the equivalent resistance of the combination and compare it to the theoretical equivalent resistance.

You will connect the two resistors in parallel and find the equivalent resistance of this parallel combination and compare this equivalent resistance to the theoretical equivalent resistance.

### Procedure A: Determining Resistor Value Using Color Code

- 1 Enter the color of the four bands for the two resistors in Data Table 1.



- Determine the resistor value and corresponding tolerance for the resistors and enter these values in Data Table 1. You will use these values as the expected or manufacturer's values when comparing with the experimental values.

**CHECKPOINT 1:** Ask your TA to check your reading of the color code.

### Procedure B: Determining $R_1$

To determine the resistance, you will set up the following circuit.

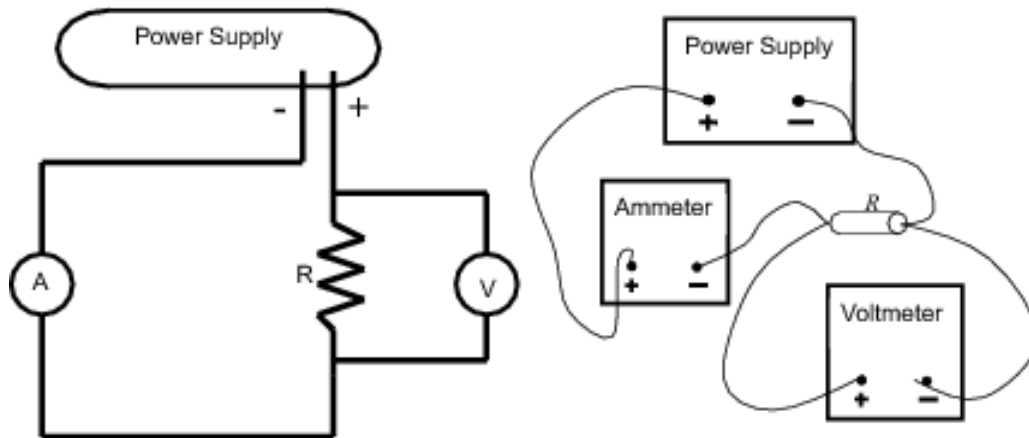
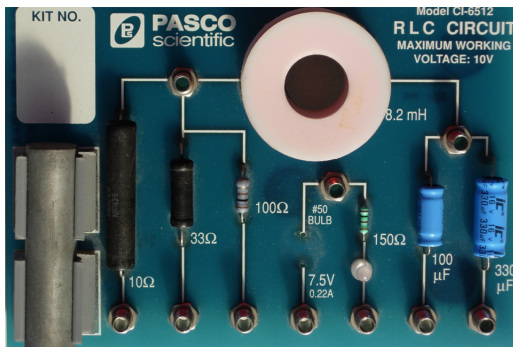


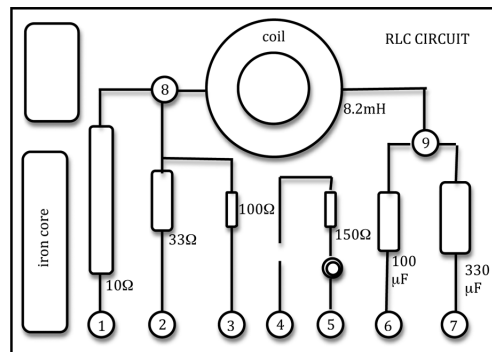
Figure 4: Circuit diagram for Procedure A

Figure 4 shows the circuit diagram and schematic for connecting a single resistor in series with the power supply and ammeter. In Fig. 4a,  $\textcircled{A}$  represents a multimeter as an ammeter and  $\textcircled{V}$  represents a multimeter as a voltmeter.

You will use the circuit board shown in Fig. 5 below. The connection points are numbered in the schematic of the circuit board shown in Fig. 5b. Refer to these numbers as you make the connections for each part of the lab.



(a)



(b)

Figure 5: Photo and schematic of circuit board

Figure 6 below shows the connections for each individual resistor using the circuit board.

To provide clarity, the connecting wires in this and other subsequent diagrams have been drawn with different colors. These colors do not represent the true colors of the connecting wires you will be using.

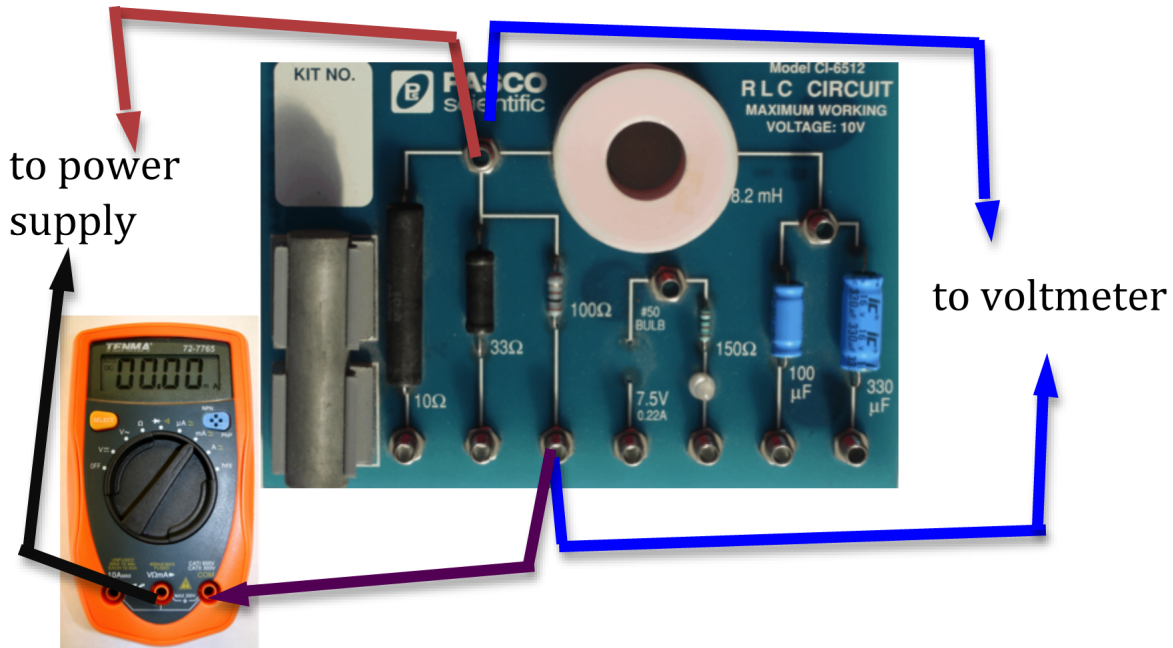


Figure 6: Circuit diagram for 100  $\Omega$  resistor

- 3 Make sure the power supply is turned off.
- 4 Connect the circuit shown in Fig. 6 for the 100  $\Omega$  resistor.

**Precaution:** If the multimeters are not set to the proper scale, it can damage the meters. Before you turn the power supply on, your TA must check your circuit.

**CHECKPOINT 2:** Ask your TA to check your circuit and multimeter settings.

- 5 Set the power supply to deliver 3 V. Record the ammeter and voltmeter readings on your worksheet. Record the actual voltmeter reading and not the value on the power supply as these two readings might be slightly different.
- 6 Increase the power supply output in steps of 1 volt and record the ammeter and voltmeter readings on your worksheet, for a total of five different voltmeter readings.
- 7 Construct a graph of  $\Delta V$  versus  $I$  using Excel and include error bars for  $\Delta V$ . Assume a 5% tolerance for the voltmeter reading. See Appendix G.

- 8 Use the Linest function in Excel to determine the resistance and its uncertainty from the slope of the graph. See Appendix J.
- 9 Compute the percent error between the manufacturer's value of the resistance (from Data Table 1) and the experimental value. See Appendix B.

**CHECKPOINT 3:** Ask your TA to check your chart, calculations, and Excel graph before proceeding.

### Procedure C: Determining $R_2$

- 10 Disconnect the first resistor and connect the second resistor as shown in Fig. 7.

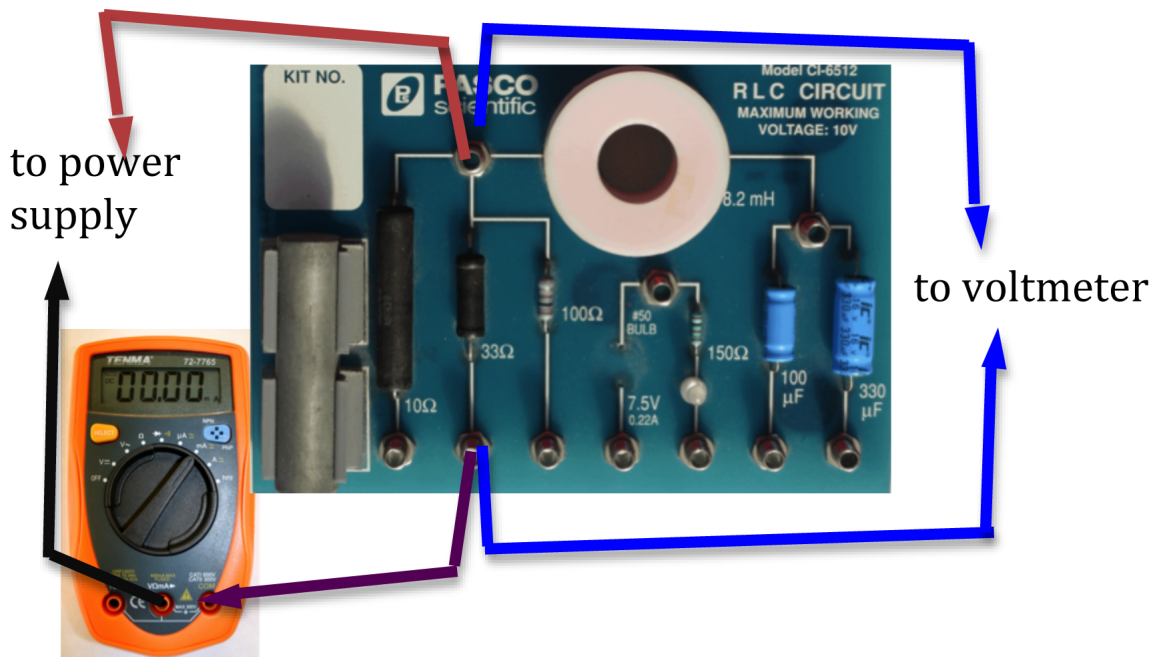


Figure 7: Circuit diagram for  $33 \Omega$  resistor

- 11 Repeat steps 5-9 with this second resistor and complete Data Table 3 on the worksheet.
- 12 Compute the percent error between the manufacturer's value of the resistance (from Data Table 1) and the experimental value.

**CHECKPOINT 4:** Ask your TA to check your chart, calculations, and Excel graph before proceeding.

### Procedure D: Determining Equivalent Resistance—Series Arrangement

- 13 Connect the two resistors you used before in a series arrangement. Connect one multimeter in series with the two resistors to read the current flowing in the circuit. See Fig. 8.

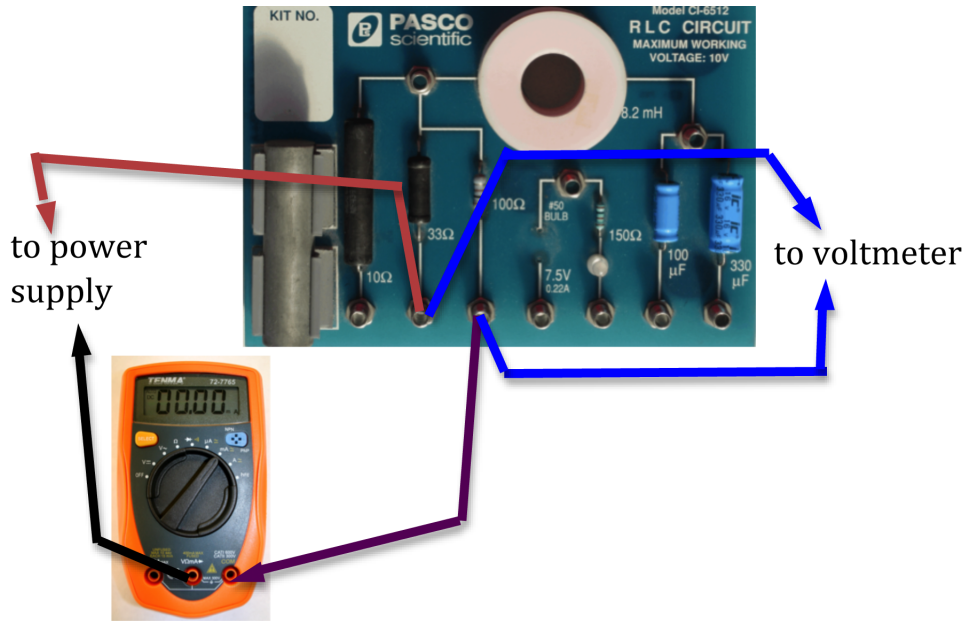


Figure 8: Connections for series circuit

You will use the other multimeter as a voltmeter for measuring the potential difference across the series combination (as shown in Fig. 8), and then across each individual resistor  $R_1$  and  $R_2$ . See Figs. 9 and 10 below.

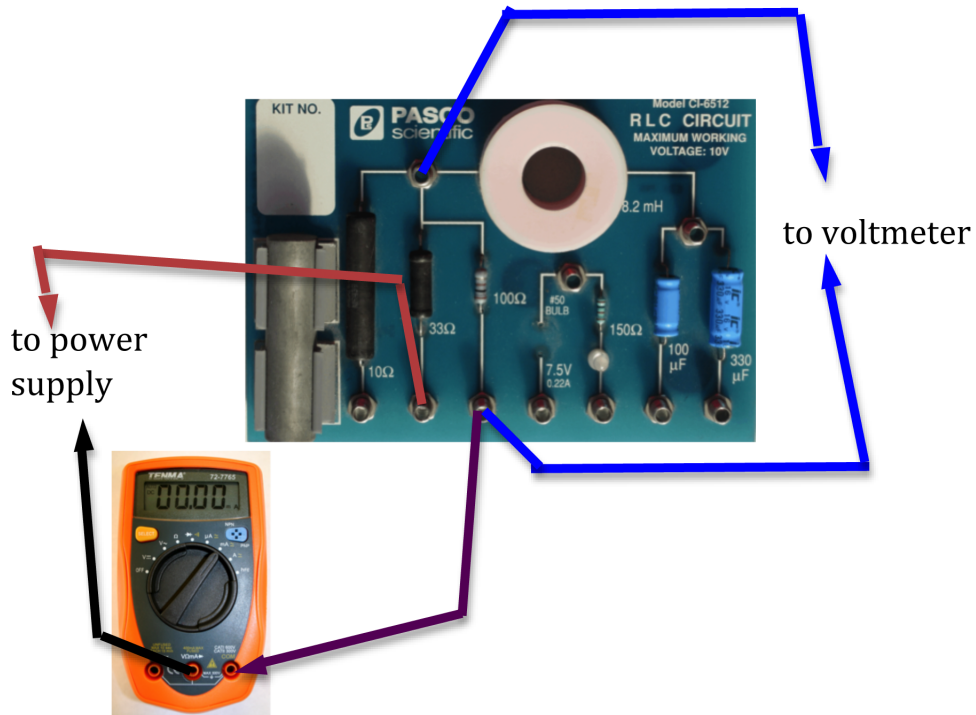


Figure 9: Measuring potential difference across the 100  $\Omega$  resistor

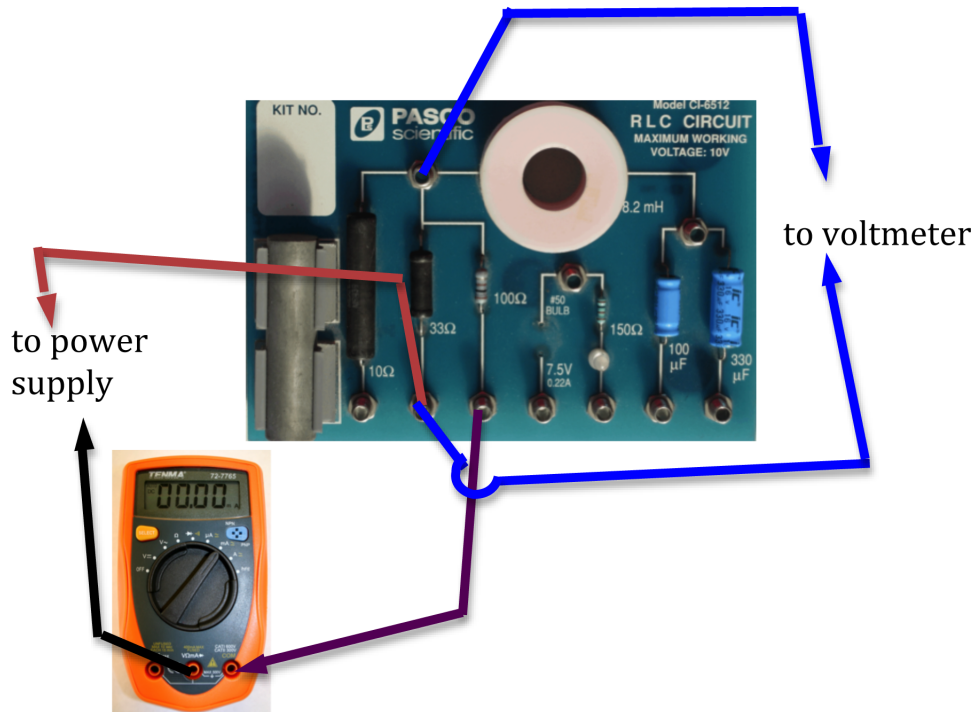


Figure 10: Measuring potential difference across the  $33\ \Omega$  resistor

**CHECKPOINT 5:** Ask your TA to check your circuit before proceeding.

- 14 Set the power supply to deliver 3 V. Record the voltmeter reading across the combination and the ammeter reading in the first two columns in Data Table 4 on the worksheet.
- 15 Measure  $\Delta V_1$  and  $\Delta V_2$ , the potential drops across  $R_1$  and  $R_2$  respectively. Enter these in columns 3 and 4 in Data Table 4 on the worksheet.
- 16 Repeat steps 14 and 15 for four more readings of the power supply.
- 17 Use the first two columns of Data Table 4 to draw a graph using Excel and determine the equivalent resistance and corresponding uncertainty of the series combination from the slope of the graph.
- 18 Compute the theoretical equivalent resistance of the series combination using Eq. 1 and the values from Data Table 1. Also calculate the uncertainty in this value.
- 19 Compute the percent error between the measured and calculated values of the equivalent resistance. Record this on the worksheet.
- 20 Use the data in columns 3 and 4 of Data Table 4 to determine the total voltage across the series combination. Enter these values in the same data table.
- 21 Compare the measured and calculated total voltage drop across the series combination by computing the percent difference between the two values. Record these in Data Table 4.

**CHECKPOINT 6:** Ask your TA to check your chart, calculations, and Excel graph before proceeding.

### Procedure E: Determining Equivalent Resistance—Parallel Arrangement

**22** Connect the two resistors you used before in a parallel arrangement. Connect the voltmeter to measure the potential difference across the parallel combination. See Fig.11 below.



Figure 11: Connection for parallel circuit

You will use the second multimeter as an ammeter to measure the current  $I$  flowing out of the power supply, as well as  $I_1$  and  $I_2$ , the currents flowing through  $R_1$  and  $R_2$ , respectively. To do this you will first connect the ammeter in series with the power supply (as in Fig. 11) to measure  $I$ . You will then disconnect the ammeter and connect it, first in series with  $R_1$  (see Fig. 12) and then in series with  $R_2$  (see Fig. 13) to measure  $I_1$  and  $I_2$ .



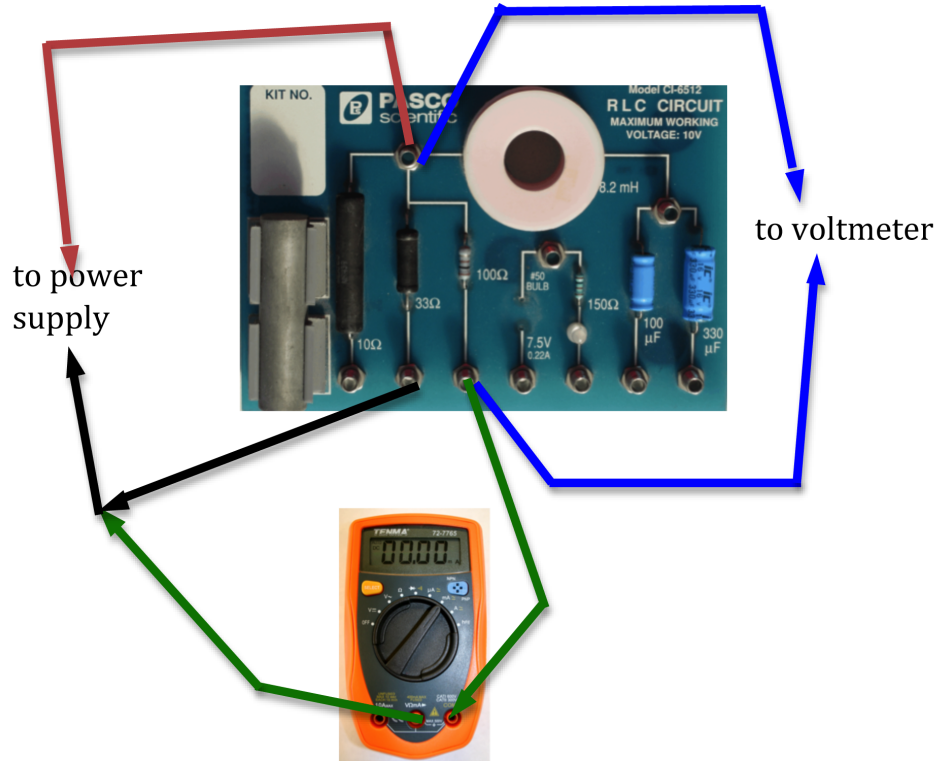


Figure 12: Measuring current through 100  $\Omega$  resistor

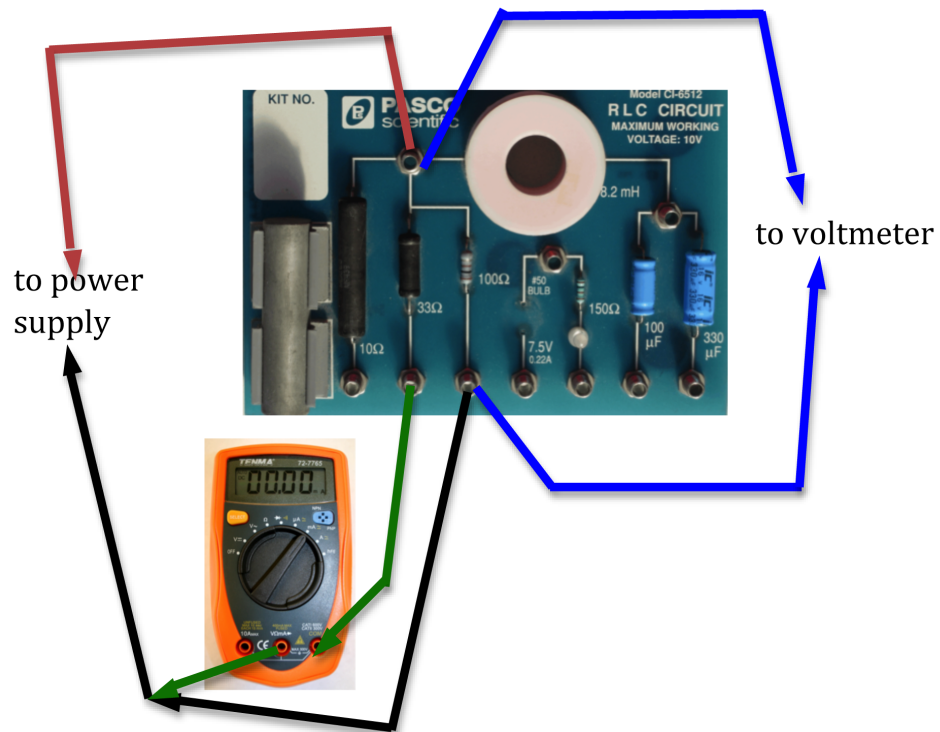


Figure 13: Measuring current through 33  $\Omega$  resistor

**CHECKPOINT 7:** Ask your TA to check your circuit before proceeding.

- 23** Set the power supply to deliver 3 V. Record the voltmeter reading in the first column in Data Table 5 on the worksheet.
- 24** Measure  $I$ ,  $I_1$ , and  $I_2$ , the currents flowing from the power supply, and through  $R_1$  and  $R_2$  respectively. Enter these in columns 2, 3, and 4 in Data Table 5 on the worksheet.

**CHECKPOINT 8:** Ask your TA to check your chart, calculations, and Excel graph before proceeding.

- 25** Repeat steps 23 and 24 for four more readings of the power supply.
- 26** Use the first two columns of Data Table 5 to draw a graph.  
Then use the Linest function in Excel to determine the equivalent resistance and corresponding uncertainty of the parallel combination from the slope of the graph.
- 27** Compute the theoretical equivalent resistance of the parallel combination using Eq. 2 and the values from Data Table 1. Also calculate the uncertainty in this value.
- 28** Compute the percent error between the measured and calculated values of the equivalent resistance. Record this on the worksheet.
- 29** Use the data in columns 3 and 4 of Data Table 5 to determine the total current flowing through combination. Enter these values in the same data table.
- 30** Compare the measured and calculated total current in the circuit by computing the percent difference between the two values. Record these in Data Table 5.